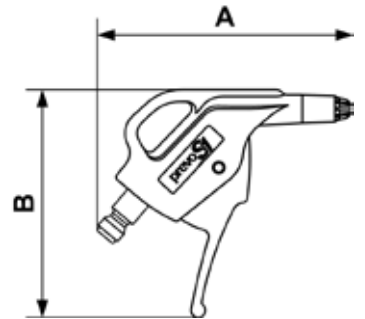


## PREVO S1 BLOW GUNS - AUTOMOTIVE PROFILE - 1/4

prevoS1 blow gun with silent nozzle

Profile : TRUFLATE



<b>Blowing force</b> 6 OZF	<b>Dynamic pressure</b> 2.9 psi	<b>Max. operating pressure</b> 174 psi	<b>ID passage</b> 1/4"
-------------------------------	------------------------------------	---	---------------------------

Part number	Flow rate at 87 psi (CFM)	Sound level (dBA)	Length (ft)	ID passage (inch)	Net weight (Kg)	Dim. A (inch)	Dim. B (inch)
UBG 06SIL	6	74	0.144	1/4"	0,078	4.29	3.82